

WRAP & FUSE COILED COASTER

By Carol C. Porter

This is a fun and fast project for holiday gift giving, hostess or housewarming gifts and just to add a sparkle of color to your home décor. Mix and match fabric and colors, “Wrap ‘n Fuse”; then coil and you’re done!



MAKE IT WITH
Wrap ‘n Fuse Piping 12/32”



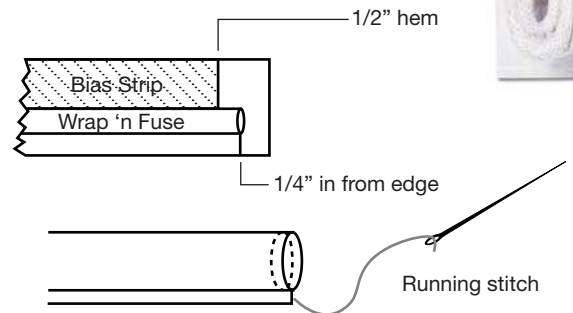
SUPPLY REQUIREMENTS

1 yd. Clover Wrap ‘n Fuse Piping 12/32” Art No. 9518
2-5/8” x 38” Fabric bias strip (may need to piece)
Clover Mini-Iron II Art. No. 9100
Needle & Thread

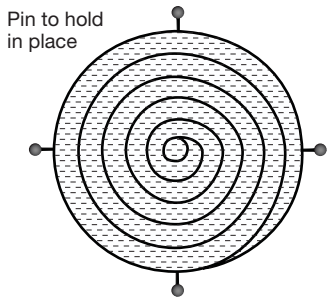
Clover Flower Head Straight Pins Art. No. 2505
Yarn matching colors in fabric (approx 4-5 yds.)
Clover Darning Needle Art. No. 239
Clover Patchwork Scissors Art. No. 493

ASSEMBLY DIRECTIONS

Step 1: Press a 1/2” hem at the beginning and end of the bias strip. Set the Wrap ‘n Fuse 1/4” from the hemmed edge. Wrap fabric over piping and fuse.



Step 2: Trim the seam allowance to 1/4” and gently press toward the piping. Use a needle and thread and draw up a running stitch in the hem at both ends of the cording to give a finished look.



Step 3: On a flat surface, begin coiling keeping the seam allowance to the inside of the coil. Pin with long straight pins to hold in place.

Step 4: Cut approximately 1 1/4 yd. yarn, thread the darning needle and begin lashing the coils together by using a back stitch.

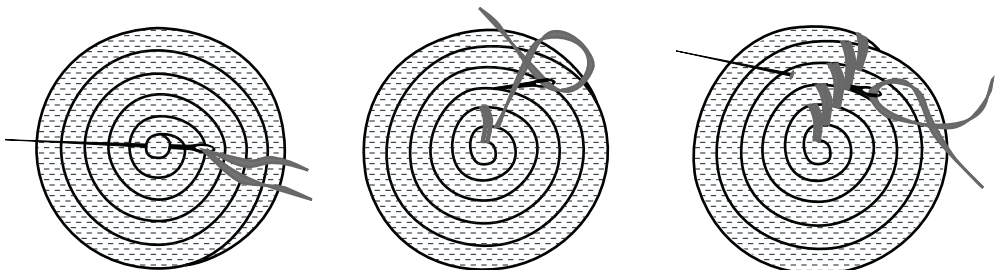
For Back Stitch:

Begin at the back center and slip the darning needle and yarn through the fabric to “hide” the end. Working from the right side pass the needle through the center coil and wrap this coil and the next coil above together twice.

Come back through the second coil and up to the third coil and wrap twice.

Work back stitch until all coils are lashed. To end: Draw the darning needle and yarn through the fabric to “hide” the tail.

Step 5: Repeat Step 4 three more times creating a quadrant on the coaster.



Begin at center back.

Right side: Wrap coil 1 & 2 twice. Bring needle through coil 2 and down through coil 3. Wrap twice.

Right side: Draw needle through the fabric to hide end.

CLOVER NEEDLECRAFT, INC.

Ontario, CA 91761 www.clover-usa.com
TOLL FREE: (800) 233-1703 FAX: (909) 218-2161