



HANDBAG WITH TORTOISESHELL HANDLES

SUPPLY REQUIREMENTS

1 pair Tortoiseshell Handles
 Art No. 6349 (3" x 5") or
 Art No. 6345 (5" x 5")

FABRIC REQUIREMENTS

Fabric Suggestion: Home Dec Tapestry Sample
 Outer Bag 3/8 yd
 Lining and Inner Pocket 3/8 yd

CUTTING DIRECTIONS

For Outer Bag and Lining: see Ill. #1
 For Inner Pocket: Cut 1 piece 11" x 12"

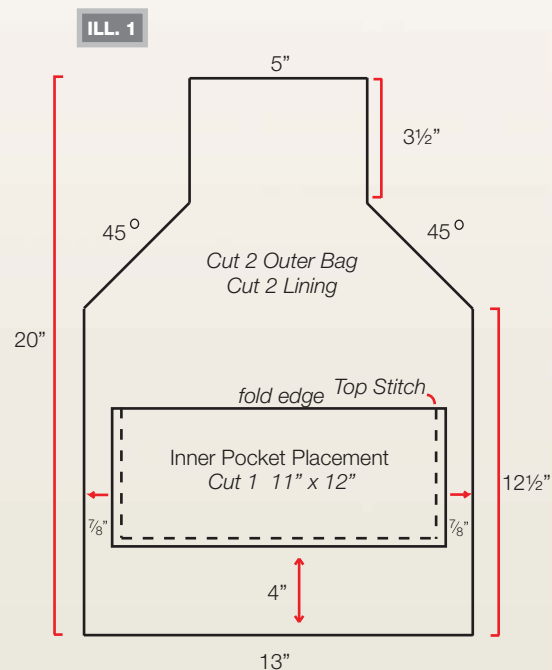
SEWING DIRECTIONS

Inner Pocket

Fold inner pocket with right sides together (5 1/2" x 12"). Stitch leaving an opening for turning. Turn and press. Place pocket to one lining as shown in Ill. #1 and top stitch.

Assembly

With right sides together sew the sides and bottom of the lining; repeat for the outer bag. Turn the lining out (to its right side) and insert it into the outer bag so right sides are together. Pin the lining to the outer bag along the angled and straight edges; stitch using a 1/4" seam allowance, leave the 5" space at the top open. Turn the bag right sides out and adjust the lining into the bag. Press the edges along the angled and straight sides. Turn the 5" opening 1/4" to the inside; press and stitch closed. Fold the top of the bag over the handles and top stitch into place.



Clover

NEW

BAGS & TOTES

DESIGNER BAG HANDLES

YOUR CREATION, YOUR STYLE

Take your pick from two new fashionable styles in four colors and designs that will add the finishing touch to your bag creations. Bring out your creativity, show off your personality, set your own style!



5" X 5" SQUARES: (SUGG. RETAIL \$8.95 EA.)

A Art. No. 6343 Black Cherry B Art. No. 6344 Ebony C Art. No. 6345 Tortoiseshell D Art. No. 6346 Ivory Swirl

5" X 3" RECTANGLES: (SUGG. RETAIL \$7.95 EA.)

E Art. No. 6347 Black Cherry F Art. No. 6348 Ebony G Art. No. 6349 Tortoiseshell H Art. No. 6350 Ivory Swirl

CLOVER NEEDLECRAFT, INC.
 Cerritos, CA 90703-2315 U.S.A. www.clover-usa.com
 TOLL-FREE: (800) 233-1703 FAX: (562) 282-0220



CT0068
 SEPT 2009

make-it

more project ideas available at www.clover-usa.com

Clover

A Bevy of

By Carol C. Porter

Bags

FREE PROJECTS



MADE WITH

DESIGNER BAG HANDLES





HANDBAG WITH BLACK CHERRY HANDLES

SUPPLY REQUIREMENTS

- 1 pair Black Cherry Handles Art No. 6343 (5" x 5")
- 1 package Create-a-Strap 1" Art No. 9502
- 1 package Wrap 'n Fuse 3/16" Art No. 9512
- 1 package Shape 'n Create Art No. 9504
1" wide x 28" Grosgrain Ribbon

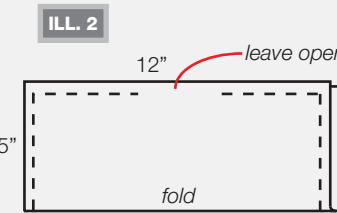
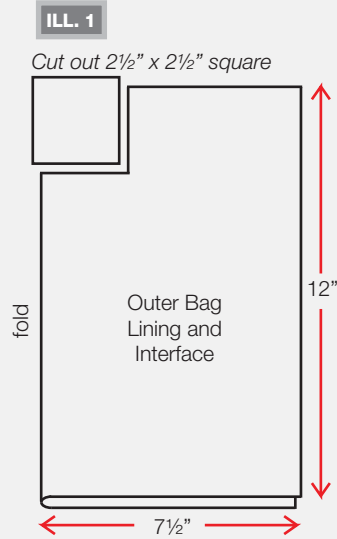
FABRIC REQUIREMENTS

Fabric Suggestion: Luna by Gail Fountain for Maywood Studios

Outer Bag	2 Fat Quarters	Inner Pockets & Piping	1 Fat Quarter
Outer Pocket	1 Fat Quarter	Handle Connectors	1 1/2" x 28" Strip
Lining	2 Fat Quarters	Interfacing (Optional)	2 rectangles each 12" x 15"

CUTTING DIRECTIONS

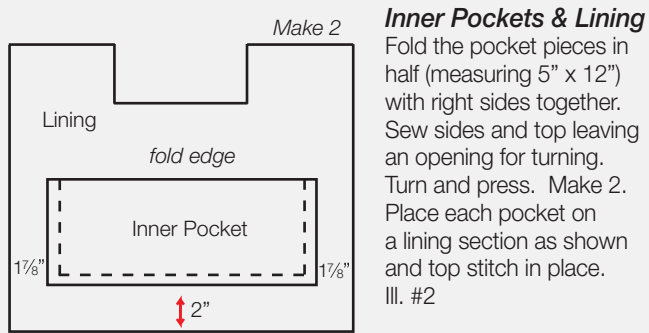
- For Outer Bag: Cut 2 each 12" x 15"
- For Outer Pocket: Cut 1 piece 12" x 15"
- For Lining: Cut 2 each 12" x 15"
- For Inner pockets: Cut 2 each 10" x 12"
- For Piping: Cut strip 1 1/2" x 36" (may need to piece for length)
- For Base stabilizer: Cut 1 Shape 'n Create 1" x 12"



SEWING DIRECTIONS

Preparations

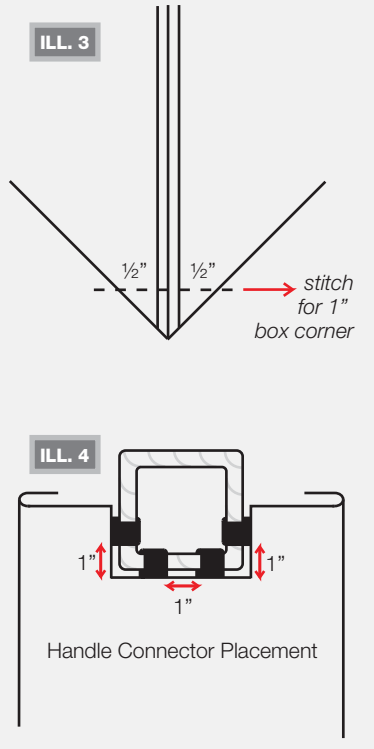
- Step 1: Fold the outer bag, lining, and interfacing 12"x15" rectangles in half and cut out a 2 1/2" x 2 1/2" square from the top center for the handles. Ill. #1
- Step 2: Interface the outer bag sections. (optional)
- Step 3: Press the Create-a-Strap to the wrong side center of the Handle Connector strip of fabric (1 1/2" x 28"). Fold in edges along the perforations; press. Place the 1" wide ribbon over the raw edges and top stitch along each side. Cut the strip into 8 pieces each 1" x 3 1/2".
- Step 4: Fuse the 1 1/2" x 36" fabric over the piping.



With right sides together stitch the sides and bottom of the lining. Open out the side seams, measure 1/2" on each side of the seam; then stitch across the point to create a 1" box corner. Ill. #3

Outer Bag Pocket, Outer Bag and Handle Connections

Stitch piping to the upper edge of the pocket. Press under 1/4" seam allowance on the opposite edge; fold pocket in half and top stitch just below the piping. Place pocket 3/4" up from the base of one outer bag; baste at side seams and top stitch along the bottom. With right sides together join the outer bag sections at the base. Press seam open and center the 1" x 12" stabilizer over the seam; stitch. Stitch the side seams and create the 1" box corner as with the lining (see Ill. #3). Turn outer bag right side out. Stitch the piping to the topmost edges. Stay stitch around the handle area. Clip corners and press raw edges to the inside. Attach the handle connectors to the handles. Stitch the handle connectors to the bag following the illustration. Ill. #4



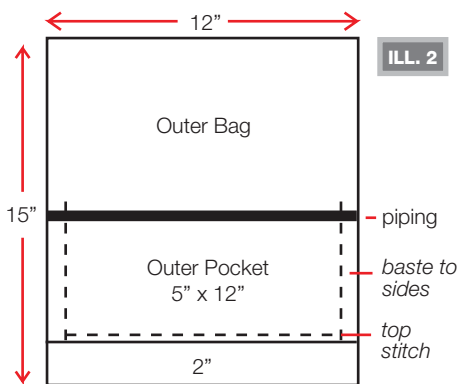
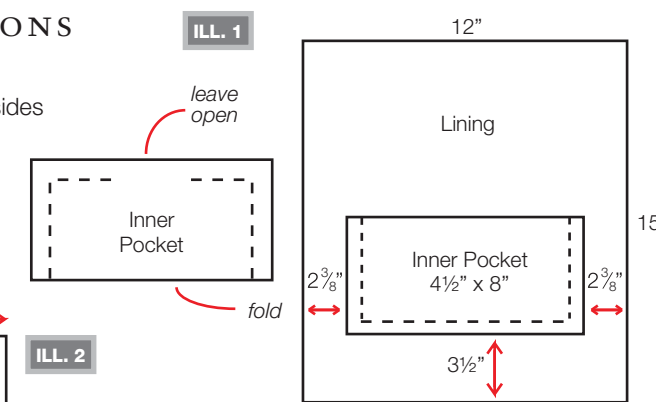
ASSEMBLY

Insert the lining into the bag matching side seams and centers; pin then top stitch the lining to the outer bag just below the piping.

SEWING DIRECTIONS

Inner Pocket:

Fold inner pocket in half wrong sides together (4 1/2" x 8"). Stitch leaving an opening for turning. Turn and press. Place pocket to one lining piece as shown and top stitch. Ill. #1

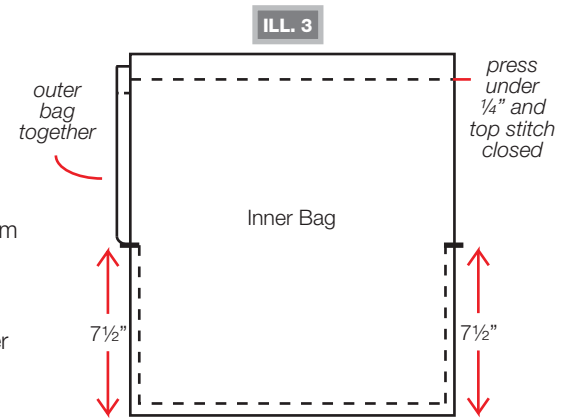
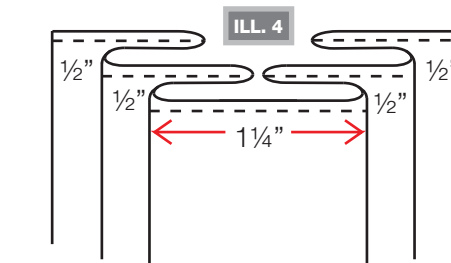


Outer Pocket:

Fuse the 1" x 12" strip onto the piping. Stitch piping to the upper edge of the pocket. Press under 1/4" seam allowance on the opposite edge; fold pocket in half and top stitch together just under the piping. Place the pocket on one outer bag section 2" up from the base. Baste edges of pocket at side seams and top-stitch across the bottom of the pocket. Ill. #2

ASSEMBLY

Match a lining piece with an outer bag section with right sides together. Stitch around the bag leaving the top edge open; turn and press. Press under 1/4" from the top (this is the only remaining raw edge) and top stitch closed. Place outer bag with right sides together and measure 7 1/2" up from the bottom of the bag along each side seam and place a pin at this measurement. Begin stitching by back stitching at the pin on one side continue stitching to the pin on the other side, back stitch and stop. Ill. #3



Pleat the tops of the front and back of the bag as shown. Baste. Ill. #4

Fold pleats over handles and top stitch in place.

We embellished this handbag with some beads... embellishment is always an option. Have fun with your customization!

HANDBAG WITH IVORY SWIRL HANDLES

SUPPLY REQUIREMENTS

- 1 package Wrap 'n Fuse Piping Art. No. 9512
- 1 pair Ivory Swirl Handles
- Art No. 6350 (3" x 5") or Art No. 6346 (5" x 5")
- 2" of 3/4" wide hook and loop

FABRIC REQUIREMENTS

Fabric suggestion: The Veranda Collection by Maywood Studios

Outer Bag	2 Fat Quarters
Outer Pocket	1 Fat Quarter
Lining & Piping	2 Fat Quarters
Inner pocket	1 Rectangle 8" x 9"

CUTTING DIRECTIONS

- For Outer Bag: Cut 2 each 12" x 15"
- For Outer Pocket: Cut 1 piece 10" x 12"
- For Lining: Cut 2 each 12" x 15"
- For Piping: Cut 1 strip 1" x 12"
- For Inner Pocket: Cut 1 piece 8" x 9"

